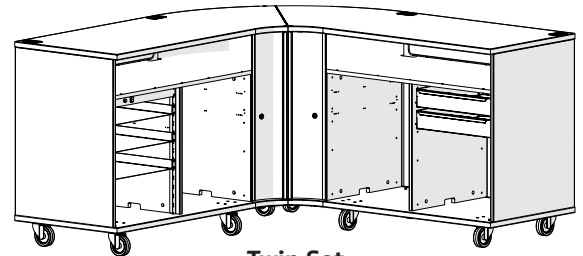
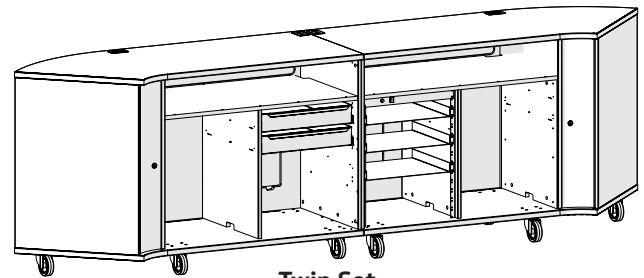


Rehearsal Resource Center

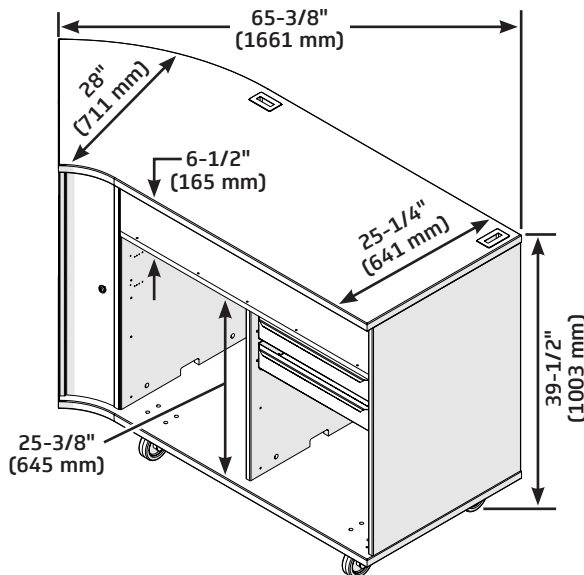
- 121C001._ (243 lb) (110 kg) Left Curved Unit with drawer or stereo rack option
- 121C002._ (243 lb) (110 kg) Right Curved Unit with drawer or stereo rack option
- 121C003._ (2x 243 lb) (2x 110 kg) Twin Set - one each left and right curved unit with drawer or stereo rack options
- Overall dimensions: 28"d x 39-1/2"h x 65-3/8"w (711 x 1003 x 1661 mm)
- Overall footprint: Wraparound Configuration: 75-1/2"w x 75-1/2"d (1918 x 1918 mm)
Straight Configuration: 130-3/4"w x 25-1/2"d x 39-1/2"h (3321 x 648 x 1003 mm)
- Top, bottom and interior panels constructed of 1-1/8" (29 mm) thick thermofused composite wood with polyester laminate finish in graphite
- Side and interior panels constructed of 3/4" (19 mm) thick formaldehyde free industrial grade composite wood with polyester laminate finish in Wenger standard colors
- Rack mountable rails and three shelves included (stereo rack option only)
- Six-outlet power strip included with 15' (4572 mm) power cord, rated 15A, 120VAC, UL listed (stereo rack option only)
- Top counter space measures 25-1/4"d x 65-3/8"w (641 x 1661 mm)
- Drawer option includes two 18-gauge steel pull-out drawers 17"w x 18"d x 3-1/2"h (432 x 457 x 89 mm) in black finish
- Includes upper storage compartment
- Two lockable rear service doors for wiring and cabling access
- Each unit includes five 4" (102 mm) diameter swivel casters
- Two wire grommets included in top panel for routing of cables
- Each unit includes a lockable storage compartment
- Units will lock together for straight across or wrap-around configuration
- Rolls through standard 3' (914 mm) doorway
- UL GREENGUARD certified - product certified for low chemical emissions: ul.com/gg - UL 2818
- Ten-year warranty



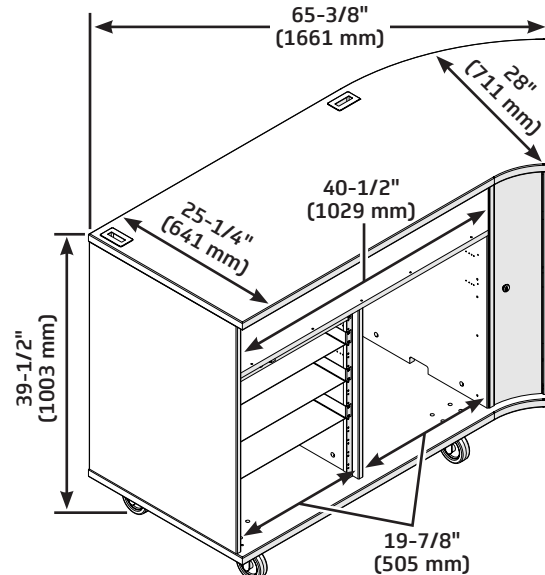
Twin Set
(Shown in a wrap-around configuration)



Twin Set
(Shown in a straight across configuration)



Left Curved Unit Assembly
(Shown with Drawer Option)



Right Curved Unit Assembly
(Shown with Stereo Rack Option)

Accessories are listed on the following page.

Accessories

Folio Inserts

- 121B105 (26 lb) (12 kg) set of two
- Pass-through slots for handouts, assignments, etc
- Includes three slots at 2"h x 18-3/4"w (51 x 476 mm)

Locking Security Panels

- 121B101._ (19 lb) (9 kg) lower door
- 121B102._ (7 lb) (3 kg) upper door
- Doors are constructed of 3/4" (19 mm) industrial grade particleboard in polyester laminate finish in Wenger standard colors

Leg Extensions

- 121B103 (10 lb) (5 kg) set of five
- Includes five tubular steel leg extensions for use with 12" high (305 mm) podiums
- Adds 6" (152 mm) to height of Rehearsal Resource Center

Speaker Shelves

- 121B106._ (13 lb) (6 kg) set of two
- Shelves are 13-5/8" wide x 15-9/32" deep x 3/4" high (346 x 388 x 19 mm)
- Fold down flat against unit for storage and transport
- Shelves are constructed of 3/4" (19 mm) industrial grade particleboard in polyester laminate finish in Wenger standard colors



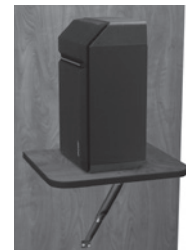
Folio Inserts



Locking Security Panels



Leg Extensions



Speaker Shelves

Wenger

JRCLANCY

GEARBOSS

© 2024 Wenger Corporation
USA/2024-03

Minnesota Location

Wenger Phone 800.4WENGER (493-6437) Wenger Worldwide +1.507.455.4100 | Parts & Service 800.887.7145 | wengercorp.com
GearBoss Phone 800.493.6437 | gearboss.com
555 Park Drive, PO Box 448 | Owatonna | MN 55060

New York Location

J.R. Clancy Phone 800.836.1885 JR Clancy Worldwide +1.315.451.3440 | jrclancy.com | 7041 Interstate Island Road | Syracuse | NY 13209